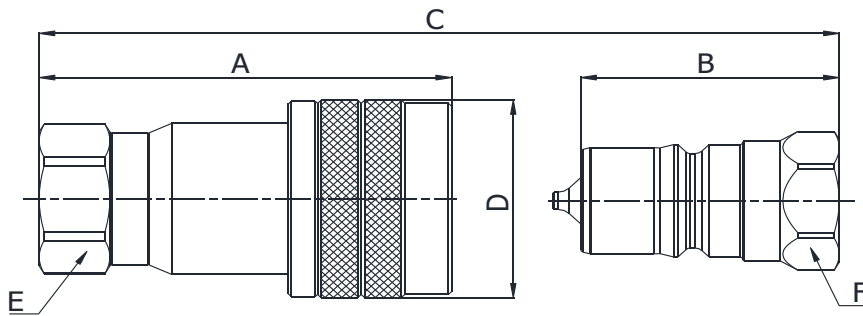


Q02411041A
Q02111041A

BSP TERMINATION ENDS
TO DIN 3852 X TYPE

| SIZE | | | PART NUMBER | | THREAD | DIMENSIONS mm | | | | | |
|------|------|------|------------------|------------------|--------|---------------|------|----------|-----|----|----|
| DN | Inch | Dash | Female coupling | Male coupling | | A | B | C | D | E | F |
| 5 | 1/8" | -02 | Q02411041A-02-02 | Q02111041A-02-02 | 1/8" | 48.5 | 30 | A+B-18,7 | ø22 | 15 | 14 |
| 6.3 | 1/4" | -04 | Q02411041A-04-04 | Q02111041A-04-04 | 1/4" | 58.8 | 37.2 | A+B-21,2 | ø28 | 19 | 19 |
| 10 | 3/8" | -06 | Q02411041A-06-06 | Q02111041A-06-06 | 3/8" | 66.2 | 41.5 | A+B-24,4 | ø35 | 24 | 22 |
| 12.5 | 1/2" | -08 | Q02411041A-08-08 | Q02111041A-08-08 | 1/2" | 74 | 46.5 | A+B-27,2 | ø42 | 30 | 27 |
| 20 | 3/4" | -12 | Q02411041A-12-12 | Q02111041A-12-12 | 3/4" | 91 | 56.5 | A+B-34,2 | ø52 | 36 | 36 |
| 25 | 1" | -16 | Q02411041A-16-16 | Q02111041A-16-16 | 1" | 104 | 64.5 | A+B-39,2 | ø60 | 41 | 41 |



Q02411341A
Q02111341A

NPTF TERMINATION END
TO ANSI B 1.20.3

| SIZE | | | PART NUMBER | | THREAD | DIMENSIONS mm | | | | | |
|------|------|------|------------------|------------------|-----------|---------------|------|----------|-----|----|----|
| DN | Inch | Dash | Female coupling | Male coupling | | A | B | C | D | E | F |
| 5 | 1/8" | -02 | Q02411341A-02-02 | Q02111341A-02-02 | 1/8" NPTF | 48.5 | 30 | A+B-18,7 | ø22 | 15 | 14 |
| 6.3 | 1/4" | -04 | Q02411341A-04-04 | Q02111341A-04-04 | 1/4" NPTF | 58.8 | 37.2 | A+B-21,2 | ø28 | 19 | 19 |
| 10 | 3/8" | -06 | Q02411341A-06-06 | Q02111341A-06-06 | 3/8" NPTF | 66.2 | 41.5 | A+B-24,4 | ø35 | 24 | 22 |
| 12.5 | 1/2" | -08 | Q02411341A-08-08 | Q02111341A-08-08 | 1/2" NPTF | 74 | 46.5 | A+B-27,2 | ø42 | 30 | 27 |
| 20 | 3/4" | -12 | Q02411341A-12-12 | Q02111341A-12-12 | 3/4" NPTF | 91 | 56.5 | A+B-34,2 | ø52 | 36 | 36 |
| 25 | 1" | -16 | Q02411341A-16-16 | Q02111341A-16-16 | 1" NPTF | 104 | 64.5 | A+B-39,2 | ø60 | 41 | 41 |